

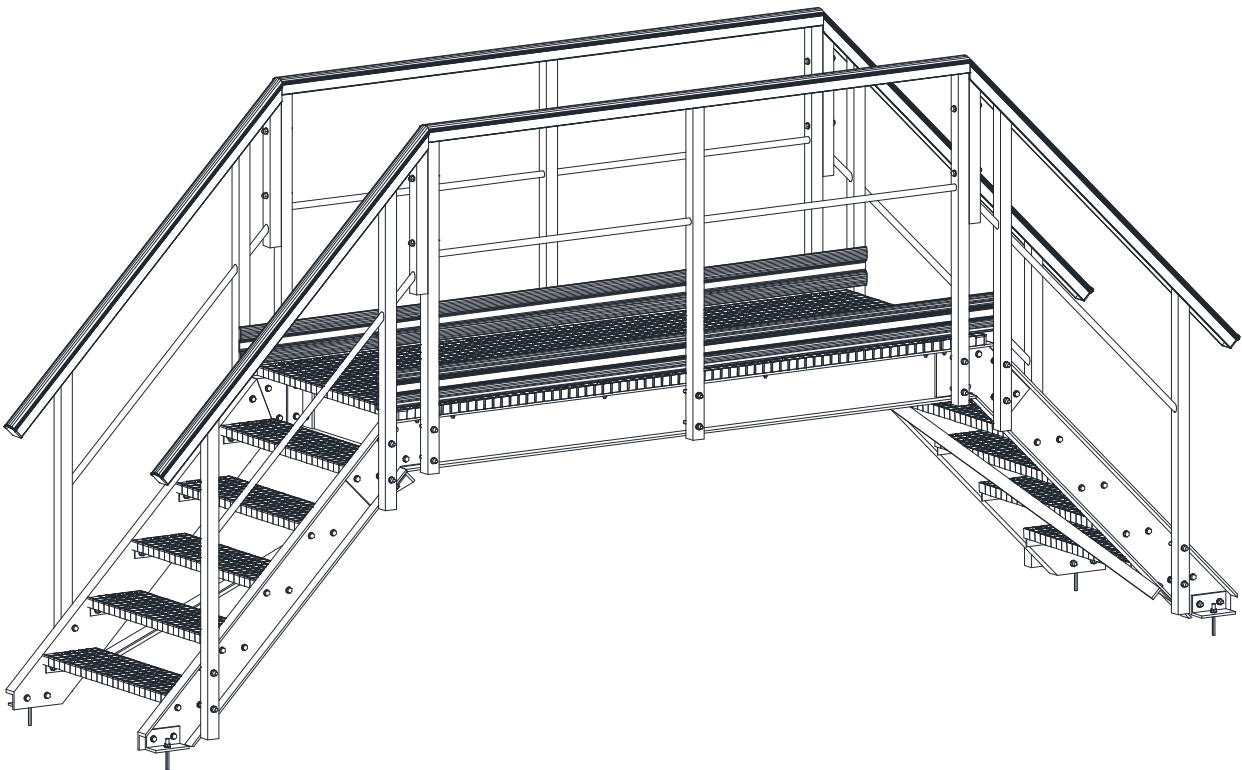
## **Intermodule® Step-over platforms**

The **Intermodule® step-over platforms** by Fiberstruct are an economic combination from the two modules stairs (*IM-S*) and walkways (*IM-W*). Due to this combination, a big variety of step-over platforms can be achieved.

The step-over-platforms are constructed from U203 GRP pultruded profiles, with flanges placed to the outside enabling matching connections with the Intermodule® stairs.

U-profiles are interconnected with GRP angle profiles and the flooring is made of Intergrate® ISO-FR 38 mm grating fixed with U-clips to the main beam, improving stability.

The Step-over platforms by Fiberstruct are platforms, with heights up to 2 metres, without support. The maximum length of the walkway is up to 5m.



## Modules

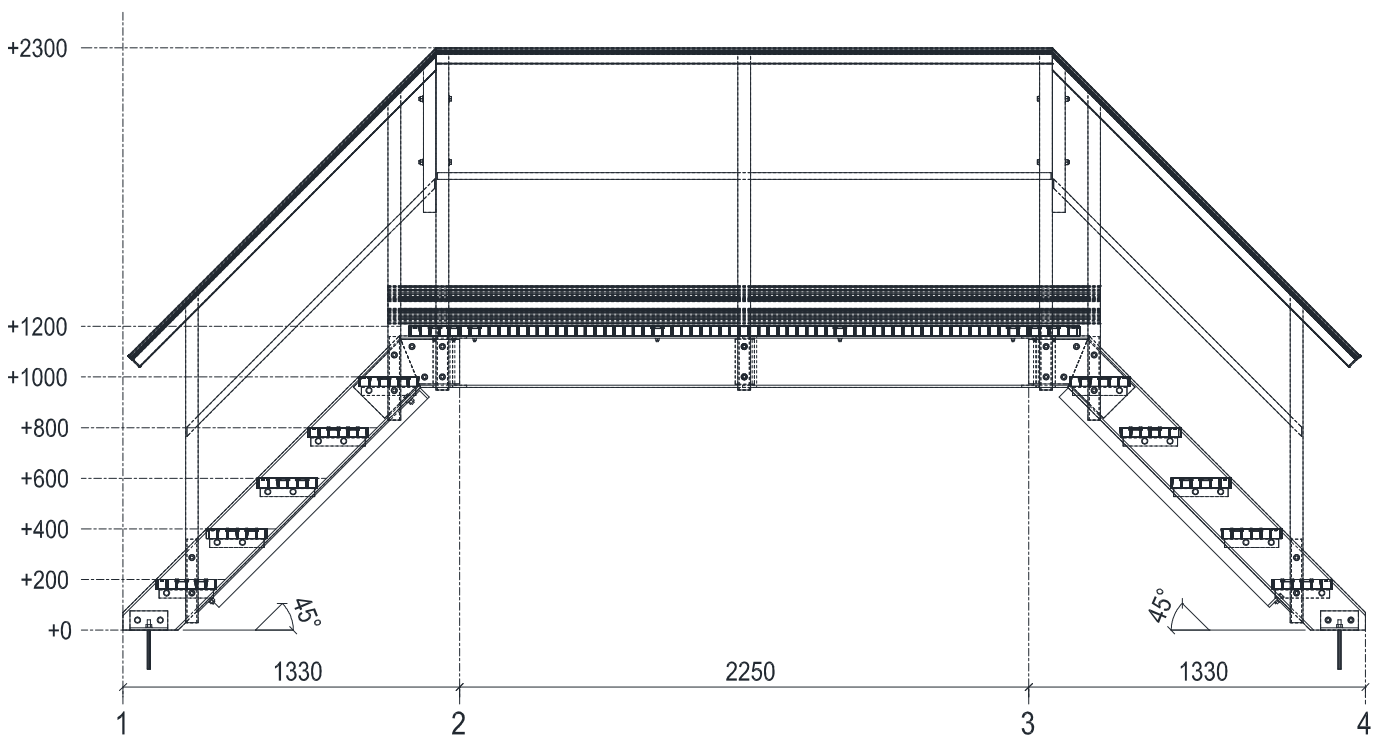
Available modules are based upon combination of Intermodule<sup>®</sup> walkway and Intermodule<sup>®</sup> stair systems. All possibilities are mentioned below.

- ❖ IM-SOP-125/06...20\*
- ❖ IM-SOP-225/..
- ❖ IM-SOP-250/..
- ❖ IM-SOP-350/..
- ❖ IM-SOP-375/..
- ❖ IM-SOP-475/..
- ❖ IM-SOP-500/..

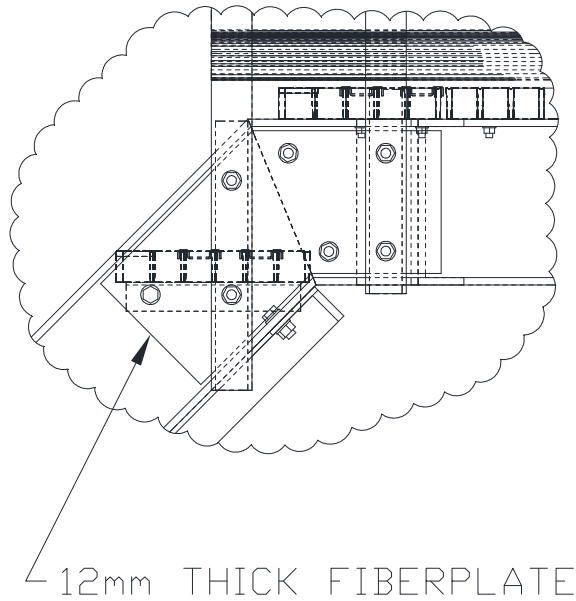
\*The height of the platform varies from 0,4m to 2m acc. to height of the Intermodule<sup>®</sup> stair.

IM = Intermodule<sup>®</sup>  
 SOP = Step-over platform  
 225/12 = Length (2,25m) / Height (1,2m)

### Example IM-SOP-225/12



## **Interconnection**

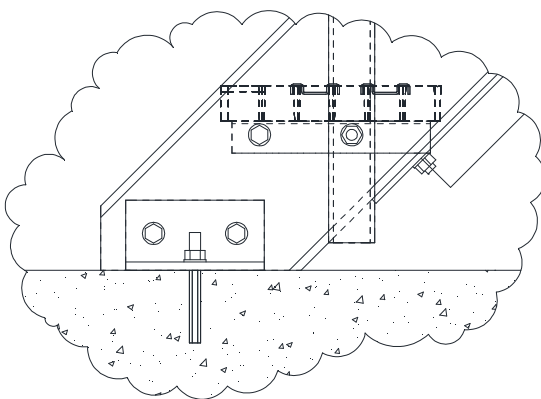


The walkway and stair modules are connected using 12mm fiberplate and bolted together using M12 stainless steel (A2) bolts.

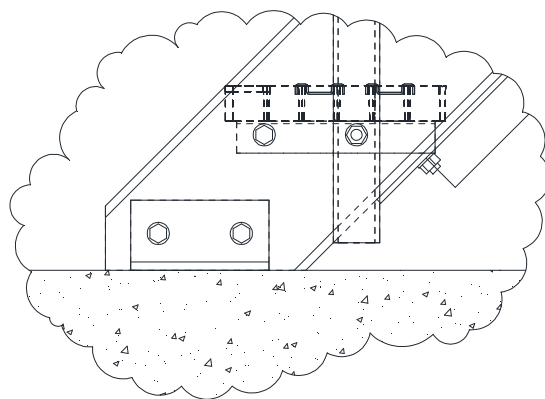
## **Installation**

There are two options possibilities how to install step-over platforms:

- a) Fixed platform (using anchors to the ground/flooring)
- b) Movable platform



a)



b)