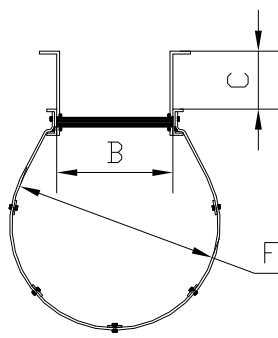
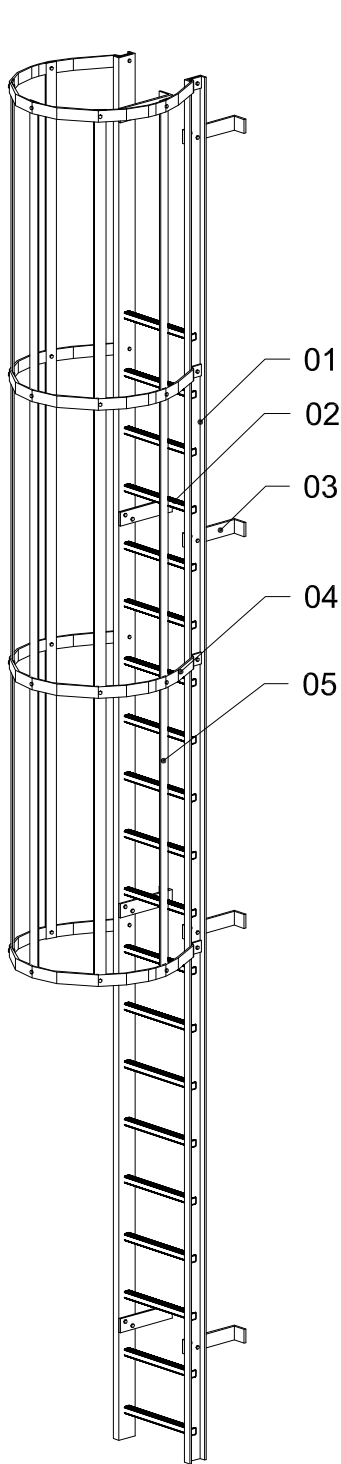
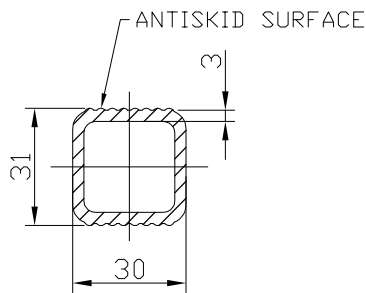


Intermodule® Caged Ladder IM-CL series

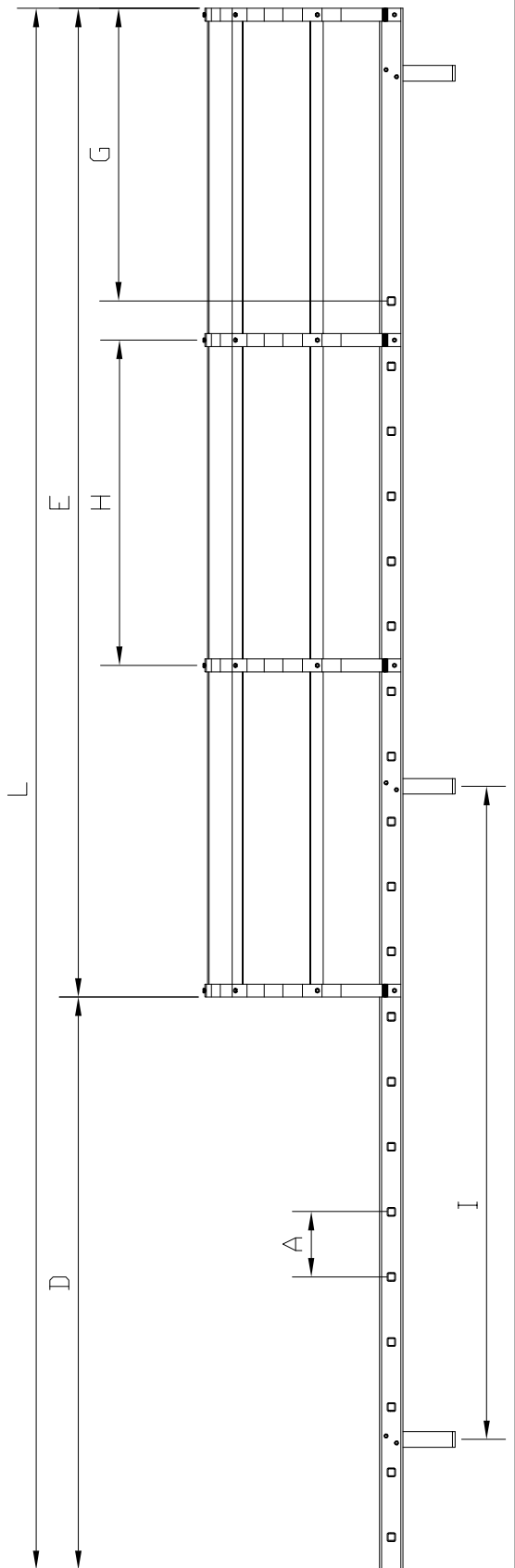


CROSSSECTION RUNG



05	Strip 50x6 mm
04	Moulded hoop
03	Anchor bracket
02	Rung 30x31 mm
01	Ladder stile U-90x35 mm

I	max. 2500 mm
H	max. 1250 mm
G	Outletheight 1125 mm
F	Ø 710 mm
E	Cage length (L - D)
D	min. 2200 mm / max. 3000 mm
C	max. 200 mm
B	500 mm, 400 mm
A	250 mm
L	min. 3500mm / max. 9000mm



Quality: ISO-FR
Colour: Yellow

				FABRICATION TOLERANCES UNLESS NOTED OTHERWISE Dimensions according to STN EN ISO 14122-4:2016
1.	MSO		13-06-2012	
REV.	BY	APP.BY	DATE	
DO NOT STACK TOLERANCES				

THIS DRAWING AND ALL DESIGN INFORMATION IS THE SOLE PROPERTY OF FIBERSTRUCT S.R.L. DRAWING IS NOT TO BE DISCLOSED OR COPIED WITHOUT THE WRITTEN AUTHORISATION OF FIBERSTRUCT S.R.L.

Intermodule® Ladders

DRAWING DESCRIPTION: IM-CL Series		
DRAWN: MSO	SCALE: n/a	W.O.NO.: -
APPROVED: -	DATE: 01-01-2017	DWGSH: -
BID BY: -		REV: 2



fiberstruct
» grp gratings