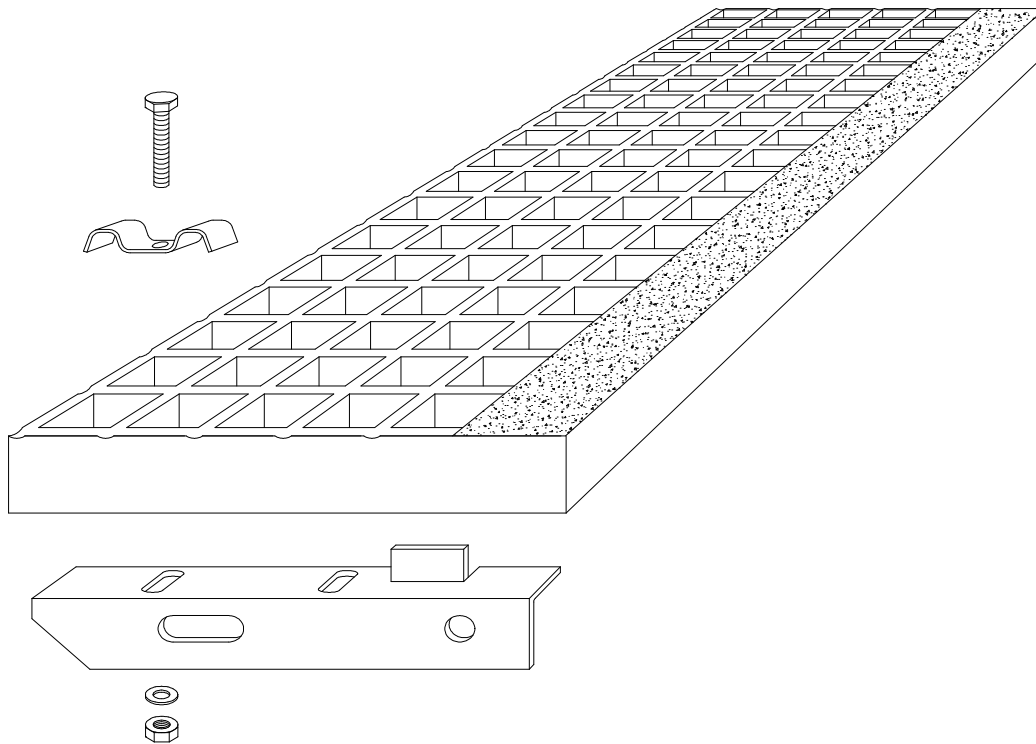
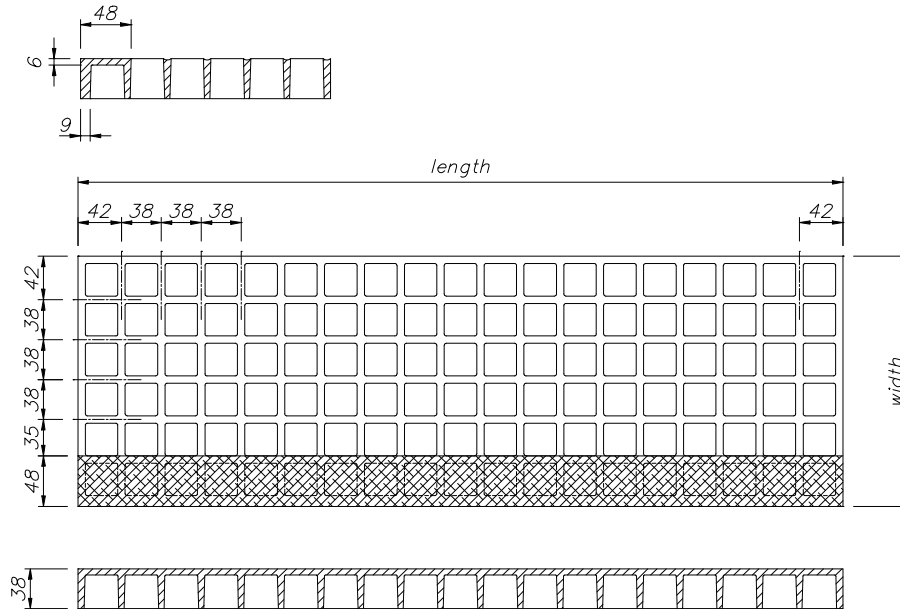


# SAFESTEP<sup>®</sup> Grating Specifications

## 1 SAFESTEP<sup>®</sup>

Safestep<sup>®</sup> stairtreads are specially designed gratings for stairs. The Safestep<sup>®</sup> stairtreads are provided with an extra-reinforced gritted nose which results in excellent anti-slip properties and minimal deflection.



# SAFESTEP<sup>®</sup> Grating Specifications

## 1.1 Closed mesh dimensions

Length			Width		
With these length, <b>8 treads</b> (width < 277) can be cut out of a standard Safestep panel (lengthwise)	45		617	<b>2 treads</b> can be cut opposite to each other	48
	83		655		86
	121		693		124
	159	<b>6 treads</b> (width < 277)	731		162
	198		769		200
	236		807		239
	274		845		277
	312		883	<b>1 tread</b> can be cut widthwise	315
	350	921	353		
	388	960	391		
	426	<b>4 treads</b> (width < 277)	998		429
	464		1036		467
	502		1074	505	
	540		1112	543	
	579		1150		

# SAFESTEP® Grating Specifications

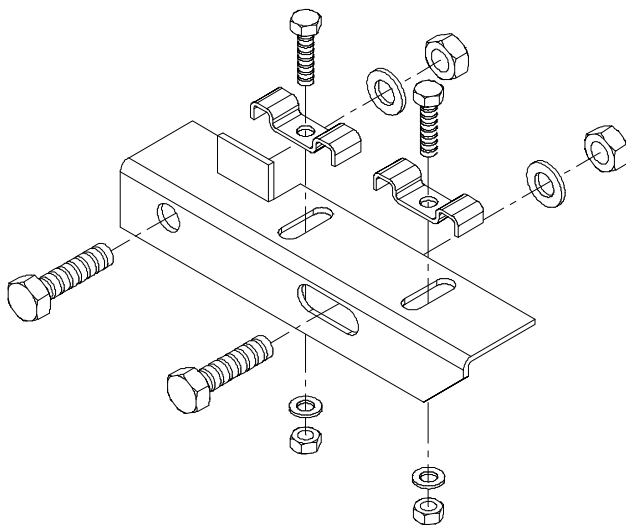
## 2 MOUNTING CLIPS FOR STAIRTREADS

All GRP gratings needs to be clipped fastened for security reasons.

Following clips can be recommended for fixation, and delivered in different steel qualities, depending the required corrosion resistance:

- quality ss316-A4 : vinylester gratings (type VE-FR; VE-XFR) for chemical aggressive area's
- quality ss304-A2 : polyester gratings (type ISO-FR and all other types) for normal corrosion resistant outdoor- and offshore/marine environments
- quality cs galvanised (HDG) : ortophtalic gratings (type ECO-NFR; ECO-FR) all low corrosion environments

### Safestep® Supports



Safestep® supports consist of two angles, 4 M-type mounting clips and are delivered including 4 M12x35 bolts assemblies for mounting the angle to the stair stringer.